

YDS-5067-OV64B V4.C

64MP OmniVision OV64B MIPI Interface Auto Focus Camera Module



Front View



Back View

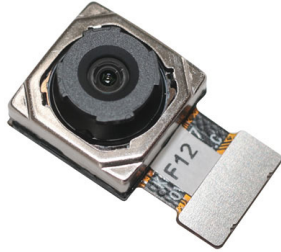
Specifications

| | |
|--------------------------|--------------------------------------|
| Camera Module No. | YDS-5067-OV64B V4.C |
| Resolution | 64MP |
| Image Sensor | OV64B |
| Sensor Type | 1/2" |
| Pixel Size | 0.702 um x 0.702 um |
| EFL | 3.57 mm |
| F.NO | 2.90 |
| Pixel | 9248 x 6944 |
| View Angle | 120.0°(DFOV) 96.0°(HFOV) 73.8°(VFOV) |
| Lens Dimensions | 10.90 x 10.90 x 6.86 mm |
| Module Size | 18.61 x 10.90 mm |
| Module Type | Auto Focus |
| Interface | MIPI |
| Auto Focus VCM Driver IC | DW9800W |
| Lens Type | 650nm IR Cut |
| Operating Temperature | -30°C to +85°C |
| Mating Connector | BM20B(0.8)-30DS-0.4V(51) |



YDS-5067-OV64B V4.C

64MP OmniVision OV64B MIPI Interface Auto Focus Camera Module



Top View



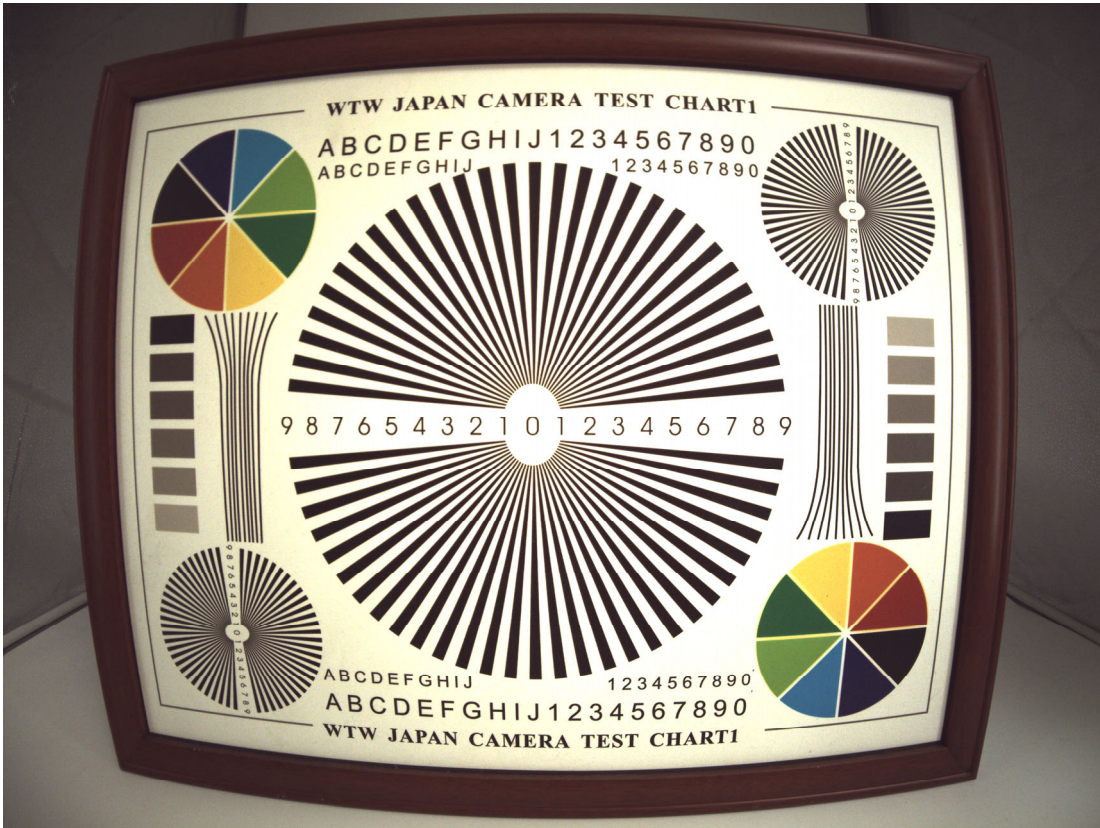
Side View



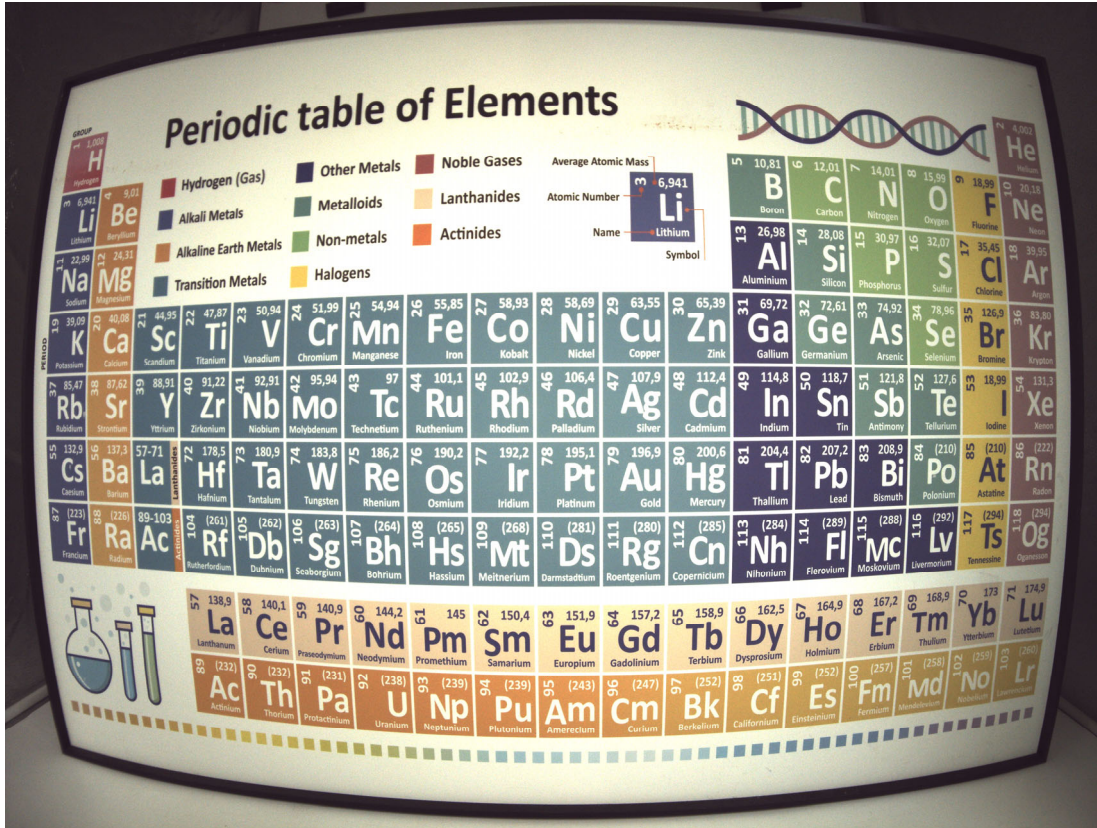
Bottom View



Mating Connector

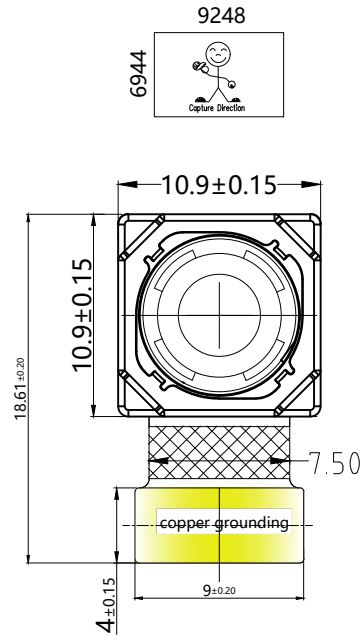




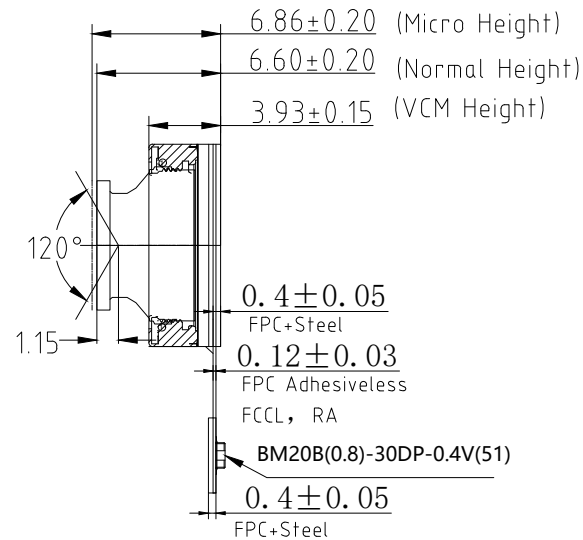


| RoHS | |
|------|------------|
| 0 | SIGNAL |
| 1 | NC |
| 2 | FSIN |
| 3 | AVDD 2.8V |
| 4 | GND |
| 5 | XCLR |
| 6 | GND |
| 7 | MCN1C |
| 8 | D1P2A |
| 9 | GND |
| 10 | D2N0B |
| 11 | D0P0C |
| 12 | GND |
| 13 | D1N2B |
| 14 | D3P2C |
| 15 | NC |
| 16 | GND |
| 17 | MCP1B |
| 18 | D0N1A |
| 19 | GND |
| 20 | D2P0A |
| 21 | MDP2 |
| 22 | GND |
| 23 | MCLK |
| 24 | GND |
| 25 | SCL |
| 26 | SDA |
| 27 | VSYNC |
| 28 | DOVDD 1.8V |
| 29 | GND |
| 30 | DVDD 1.1V |

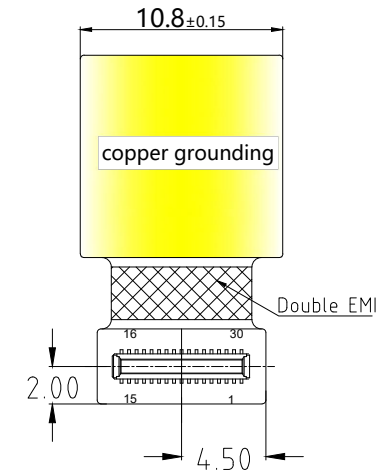
| Version | Information |
|---------|---------------|
| V1.0 | First Version |



TOP VIEW



SIDE VIEW



BOTTOM VIEW

NOTE:

- Sensor I2C slave address: 0x20(W);021(R).
- Driver IC:DW9800W ; I2C:0x18(W);0x19(R).

Parameter:

1、Sensor specification:

Image Sensor: OV64B40-GA5A

Pixel: 0.702um×0.702um

Lens Type: 1/2

Important Voltage Description: DVDD1.1V (external power supply);

2、Lens specification:

FOV: 120°(D);96°(H);73.8°(V)

F/NO.: 2.9

TV distortion: <-14.12%

Focal length: 3.57mm

Composition: 6P+IR FILTER

IR Cut Coating: 650nm±10nm@50%

www.YDSCAM.com

Designed By

Kevin

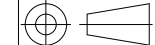
Model Name:

YDS-5067-OV64B V4.C

Checked By

Jacky

Projection Type:



Unit:

mm

Date:

11/26/2025

Scale:

1:1

Sheet:

1 of 1

Version:

1/0



OV64B 64-megapixel product brief



64 Megapixel, 0.7 Micron, 1/2" Optical Format Image Sensor for Ultra-Thin, High-End Smartphone Cameras



available in
a lead-free
package

OmniVision's OV64B is a 64 megapixel (MP) image sensor with a 0.7 micron pixel size and a 1/2" optical format, enabling high-end and high-mainstream mobile designers to create the thinnest possible smartphones with high resolution 64MP cameras. Built on OmniVision's PureCel[®]Plus stacked die technology, this sensor provides leading-edge still image captures and exceptional 4K video recordings with electronic image stabilization (EIS), as well as 8K video at 30 frames per second (fps). These features make the OV64B ideal for the main, wide, ultra-wide or telephoto rear-facing camera in multicamera configurations.

This image sensor supports 3-exposure, staggered HDR timing for up to 16MP video modes. It integrates a 4-cell color filter array and on-chip hardware re-mosaic, which provides high quality, 64MP Bayer output in real time. In low light conditions, this sensor can use near-pixel binning

to output a 16MP image with 4x the sensitivity, offering 1.4 micron equivalent performance for previews and still captures. In either case, the OV64B can consistently capture the best quality images, while enabling 2x digital crop zoom with 16MP resolution and fast mode switch.

The OV64B offers type-2, 2x2 microlens phase detection autofocus (ML-PDAF) to boost autofocus accuracy, especially in low light. It also provides a CPHY interface for greater throughput using fewer pins, and supports slow motion video for 1080p at 240 fps and 720p at 480 fps. Other output formats include 64MP at 15 fps, 8K video at 30 fps, 16MP captures with 4-cell binning at 30 fps, 4K video at 60 fps and 4K video with EIS at 30 fps.

Find out more at www.ovt.com.



OmniVision

Applications

- Smart Phones
- Video Conferencing
- PC Multimedia

Product Features

- automatic black level calibration (ABLC)
- programmable controls for:
 - frame rate
 - mirror and flip
 - binning
 - cropping
 - windowing
- support for dynamic DPC
- supports output formats:
 - 10-bit RGB 4C non-HDR
 - 10-bit RGB Bayer non-HDR
- supports horizontal and vertical subsampling
- supports typical images sizes:
 - 9248 x 6944
 - 7680 x 4320
 - 4624 x 4320
 - 3840 x 2160
 - 1920 x 1080
 - 1280 x 720
- standard serial SCCB interface
- up to 4-lane MIPI TX interface with speed up to 3.0 Gbps/lane
- 2/3 trio CPHY interface, up to 2.45 Gbps/trio
- supports type 2x2x2 ML PDAF
- 4-cell support:
 - 4-cell binning
 - 4-cell full
- HDR support: stagger HDR 2/3 exposure timing
- on-chip 4-cell to Bayer converter
- three on-chip phase lock loops (PLLs)
- programmable I/O drive capability
- built-in temperature sensor
- 0.702 μ m pixel

OV64B



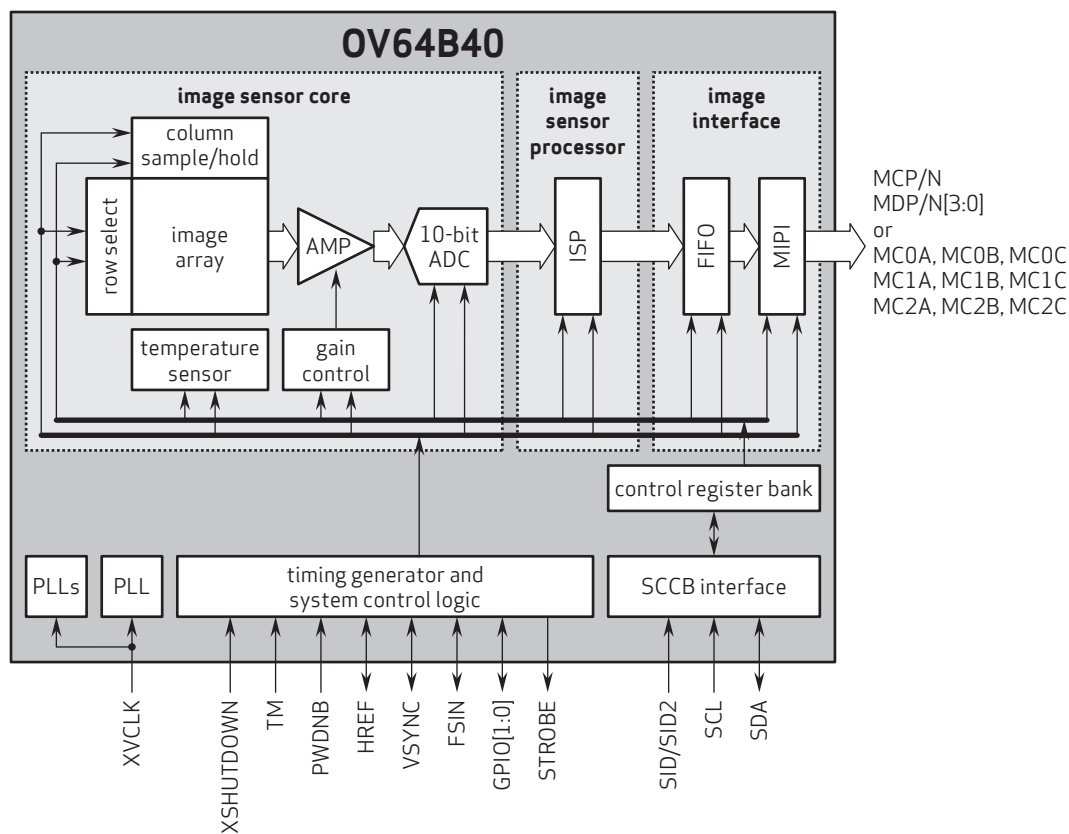
Ordering Information

- OV64B40-GA5A-002A**
(color, chip probing, 150 μ m backgrinding, reconstructed wafer with good die)

Technical Specifications

- active array size:** 9248 x 6944
- maximum image transfer rate:**
 - 9248 x 6944: 15 fps
- power supply:**
 - core: 1.1V
 - analog: 2.8V
 - I/O: 1.8V
- power requirements:**
 - active: 647 mW (64MP @ 15 fps)
 - standby: <10 μ A
- temperature range:**
 - operating: -30°C to +85°C junction temperature
 - stable: 0°C to +60°C junction temperature
- output formats:** 10-bit RGB RAW
- lens size:** 1/2"
- lens chief ray angle:** 34.55° non-linear
- scan mode:** progressive
- pixel size:** 0.702 μ m x 0.702 μ m
- image area:** 6514.56 μ m x 4897.152 μ m

Functional Block Diagram



4275 Burton Drive
Santa Clara, CA 95054
USA

Tel: +1 408 567 3000
Fax: +1 408 567 3001
www.ovt.com

OmniVision reserves the right to make changes to their products or to discontinue any product or service without further notice. OmniVision, the OmniVision logo and PureCel are registered trademarks of OmniVision Technologies, Inc. All other trademarks are the property of their respective owners.



OmniVision



DW9800W

- H-Bridge Driver IC

Ver. 0.1
2015-04-03

1. General Description

The DW9800W is designed for linear control of bi-direction voice coil motors(Bi-VCM). The DW9800W is a single 10-bit DAC with $\pm 100\text{mA}$ output current sinking capability. The DW9800W has Smart Actuator Control (SAC™) mode. SAC™ mode can be applied to minimize the mechanical vibration. The SAC™ mode has improved the actuator's settling time and wide tolerance coverage compared with conventional Linear Slope Control (LSC) mode. The SAC™ is registered trademark of DONGWOON ANATECH. The SAC™ technologies belong to DONGWOON ANATECH's own knowhow and patents.

The DW9800W also features an internal reference and operates from a single 2.3 V to 4.8V supply. The DAC is controlled via a I2C serial interface that operates at clock rate up to 400kHz. The DW9800W has a Power On Reset (POR) circuit and power down (PD) mode. POR circuit gets to operate when VDD (supply voltage) turns on. The output current keeps 0mA until valid register value takes place. The DW9800W offers to the user the choice of PD mode that insures the minimal power (Max. 2uA) is consumed in shutdown mode. The DW9800W is protected by thermal shutdown (TSD) circuit for thermal attack.

The DW9800W is designed for auto focus, optical zoom for mobile camera, digital still camera, camcorders, web camera and action camera applications.

■ Features

- 10-bit resolution current sinking of $\pm 100\text{mA}$
- Smart Actuator Control (SAC™) mode
- Supply voltage range (V_{DD}): 2.3V to 3.3V
- Fast mode plus I2C interface compatible (1.8V interface available)
- Power On Reset (POR)
- Power Down (PD) mode
- Thermal Shutdown (TSD)
- Package dimension : 0.73mm X 1.13mm X 0.31mm (6-pin WLCSP)

should be 4.8V

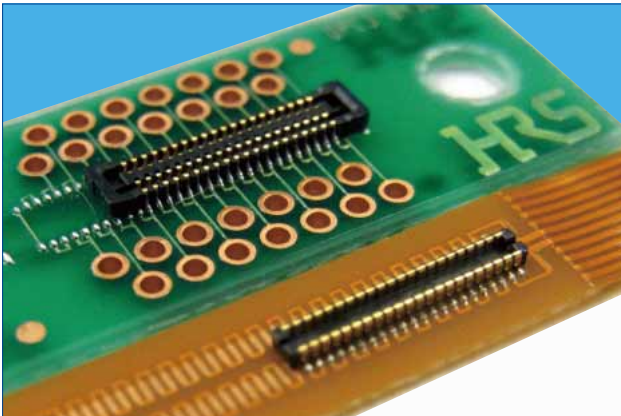


■ Applications

- Mobile camera
- Digital still camera
- Camcorder
- Web camera
- Nano actuator

0.4mm Pitch, 0.6 and 0.8mm Height, Board-to-Board and Board-to-FPC Connectors

BM20 Series



■ Features

1. High density mounting capability

A space saving design that keeps the connector compact, but still maintains an adequate vacuum area (no less than 0.7mm wide).
Depth DS : 2.3mm DP : 1.78mm

2. Reliable contact performance

Even though the mated height is low, the BM20 still leads it class in maximum effective mating lengths for each mating height.
<Effective Mating Length>
Height 0.8mm : 0.2mm
Height 0.6mm : 0.15mm
The addition of the two point contact system adds more reliability to the contacts.

3. No restrictions to PCB pattern design for the 0.8 mm height connector *1

This series utilizes a thin wall to insulate the bottom surface of the connector and maintains an effective mating length of 0.2mm. This removes any restriction for PCB pattern layout design under the connector.
Note *1: There are some restrictions for the 0.6 mm height style.

4. Enhanced mating operations

The structure uses guide ribs to ease the mating process and offers a self alignment range of up to 0.3mm. A clear tactile click is used as an indicator to the user that the mating process was completed.

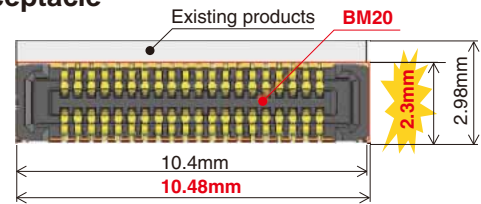
5. Drop and shock resistant structure

Dimples were designed into the contacts to increase their retention force and to absorb the shock delivered from a drop or other impact.

6. Debris resisting design

When mated, the connector's design covers the contacts which help to keep dust and other debris away from the contacts. The SMT leads are kept very close to the connector housing which also helps to prevent shorts caused by debris on the exposed contacts

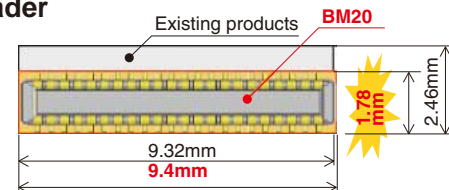
■ Receptacle



A 22.3% reduction in size!

| Existing products | BM20 |
|--|--|
| 2.98 × 10.4 = About 31.0mm ² | 2.3 × 10.48 = About 24.1mm ² |

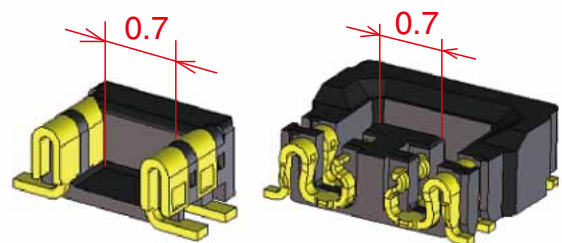
■ Header



A 27.1% reduction in size!

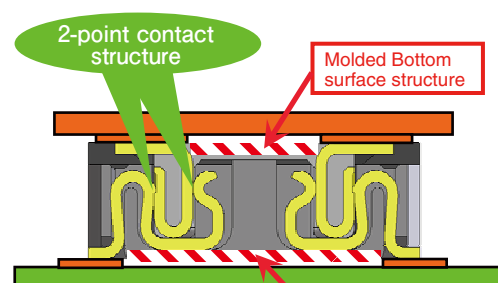
| Existing products | BM20 |
|--|---|
| 2.46 × 9.32 = About 22.9mm ² | 1.78 × 9.4 = About 16.7mm ² |

Vacuum pick-up

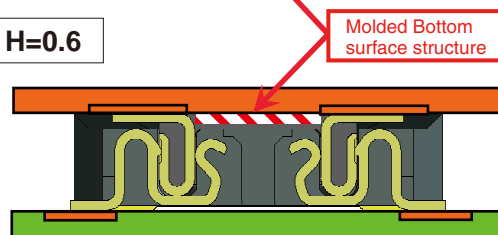


Mating diagram (cross section)

H=0.8



H=0.6



Product Specifications

| Ratings | Rated Current | 0.3A | Operating Temperature Range | - 35 ~ 85°C (Note 1) | Storage Temperature Range | - 10 ~ 60°C (Note 2) |
|------------------------------|--|------------|---|----------------------|---------------------------|----------------------|
| | Rated Voltage | AC, DC 30V | Operating Humidity Range | 20 ~ 80% | Storage Humidity Range | 40 ~ 70% (Note 2) |
| Items | Specifications | | Conditions | | | |
| 1. Insulation Resistance | Minimum of 50MΩ | | Measured with DC 100V | | | |
| 2. Withstanding Voltage | No flashover or breakdown | | Apply AC 100V for 1 minute | | | |
| 3. Contact Resistance | Maximum of 100mΩ | | Measured with AC 20 mV, 1 kHz and 1 mA | | | |
| 4. Vibration Resistance | No electrical discontinuity of 1μs or greater | | Frequency 10-55 Hz, half amplitude 0.75mm, 3 directions for 2 hours | | | |
| 5. Humidity Resistance | Contact resistance Maximum of 100mΩ Insulation resistance Minimum of 25mΩ | | Left at temperature 40±2°C, humidity 90 to 95%, 96 hours | | | |
| 6. Temperature Cycles | Contact resistance Maximum of 100mΩ Insulation resistance Minimum of 50mΩ | | (-55°C : 30 minutes → 5~35°C : 10 minutes → 85°C : 30 minutes → 5~35°C : 10 minutes) 5 cycles | | | |
| 7. Durability | Contact Resistance: maximum of 100mΩ | | 10 mating cycles | | | |
| 8. Soldering Heat Resistance | Should be no melting of resin parts that affects its performance | | Reflow : according to the Recommended Solder Profile Hand solder : Soldering iron temperature 350°C, no more than 3 seconds. | | | |

Note 1 : Includes temperature rise caused by current flow.

Note 2 : The term "storage" here refers to products stored for a long period prior to board mounting and use. The operating temperature and humidity range covers the non-energized condition of connectors after board mounting and the temporary storage conditions during transportation, etc.

Materials

| Product | Component | Materials | Finish | UL Regulation |
|------------|-----------|--------------------|--------------|---------------|
| Receptacle | Insulator | LCP | Black | UL94V-0 |
| Header | Contact | Phosphorous bronze | Gold plating | — |

Product Number Structure

Refer to this page when determining product specifications by model types. Please place orders with part numbers listed in this catalog. The characteristics and specifications of the product described in this catalog are reference values. Please make sure to check the latest delivery specifications at the time of product use.

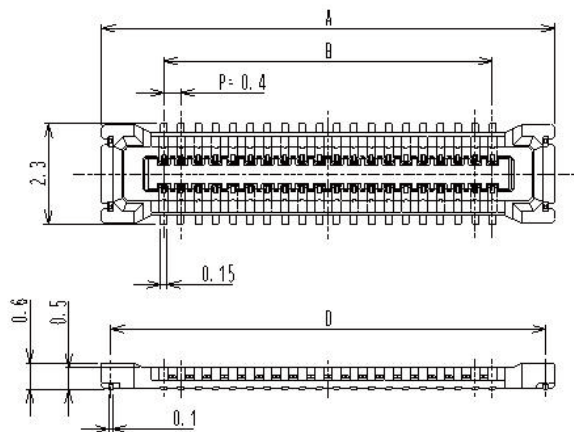
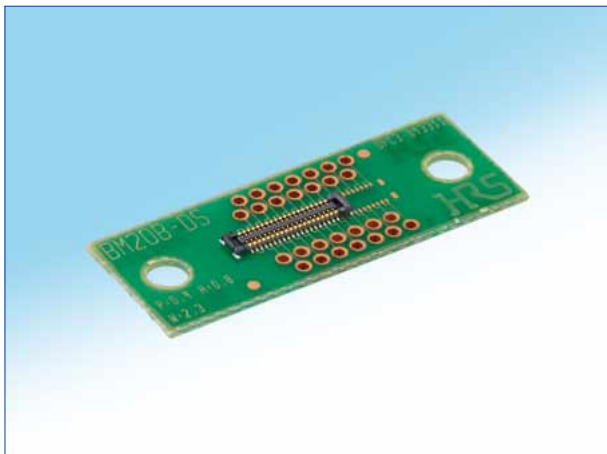
●Receptacle/Header

BM 20 # () - * DS - 0.4 V (51)**

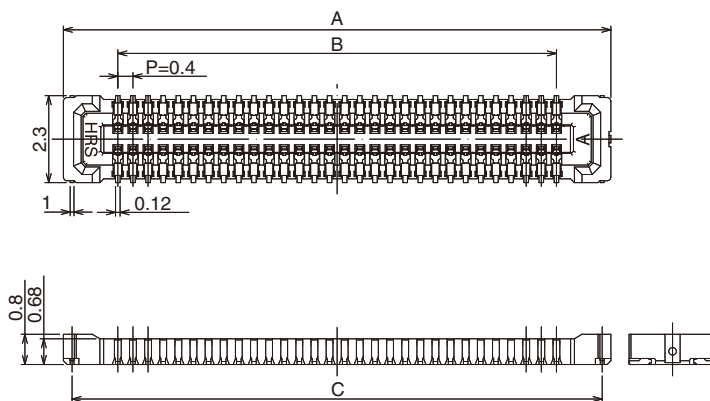
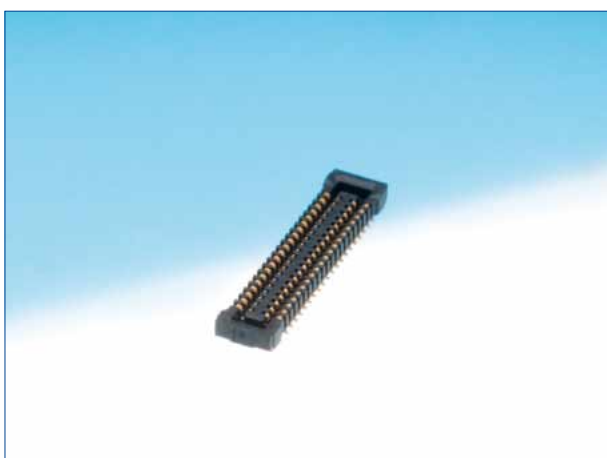
① ② ③ ④ ⑤ ⑥ ⑦ ⑧ ⑨

| | |
|---|--|
| ① Series Name : BM | ⑥ Connector Type DS : Double row receptacle DP : Double row header |
| ② Series No. : 20 | |
| ③ Shape Symbols B : With reinforcing metal fitting | ⑦ Contact Pitch : 0.4mm |
| ④ Stack height : 0.6mm, 0.8mm | ⑧ Terminal Shape V : Vertical SMT |
| ⑤ No. of Contacts : Please refer to page 3 and after. | ⑨ Packaging (51) : Embossed tape package (8,000 pieces per reel) |

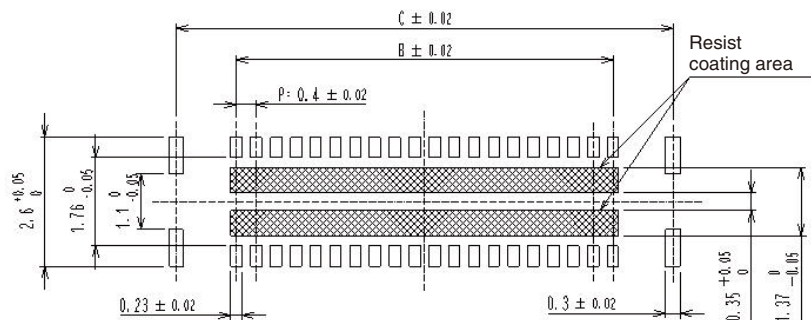
■ H=0.6mm receptacle



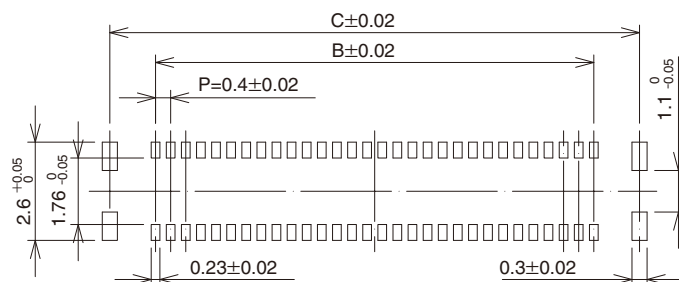
■ H=0.8mm receptacle



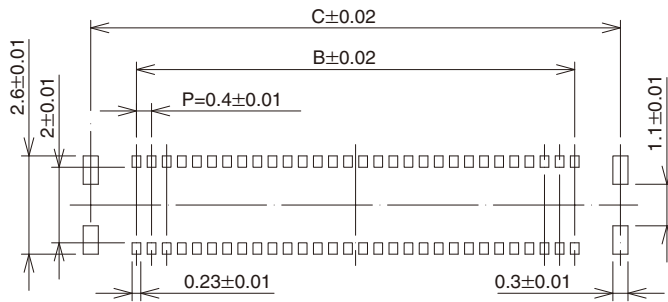
◆ Recommended PCB layout [H= 0.6mm]



◆ Recommended PCB layout [H= 0.8mm]



◆Recommended metal mask size (Mask thickness 100 μm) [0.6 mm and 0.8 mm common]



Unit : mm

| Part No. | HRS No. | No. of Contacts | A | B | C | D |
|--------------------------|----------------|-----------------|-------|------|-------|-------|
| BM20B(0.6)-10DS-0.4V(51) | 0684-9308-8 51 | 10 | 4.48 | 1.6 | 4.02 | 4.06 |
| BM20B(0.6)-20DS-0.4V(51) | 0684-9309-0 51 | 20 | 6.48 | 3.6 | 6.02 | 6.06 |
| BM20B(0.6)-24DS-0.4V(51) | 0684-9310-0 51 | 24 | 7.28 | 4.4 | 6.82 | 6.86 |
| BM20B(0.6)-30DS-0.4V(51) | 0684-9311-2 51 | 30 | 8.48 | 5.6 | 8.02 | 8.06 |
| BM20B(0.6)-34DS-0.4V(51) | 0684-9312-5 51 | 34 | 9.28 | 6.4 | 8.82 | 8.86 |
| BM20B(0.6)-40DS-0.4V(51) | 0684-9313-8 51 | 40 | 10.48 | 7.6 | 10.02 | 10.06 |
| BM20B(0.6)-50DS-0.4V(51) | 0684-9314-0 51 | 50 | 12.48 | 9.6 | 12.02 | 12.06 |
| BM20B(0.6)-60DS-0.4V(51) | 0684-9315-3 51 | 60 | 14.48 | 11.6 | 14.02 | 14.06 |

| Part No. | HRS No. | No. of Contacts | A | B | C |
|--------------------------|----------------|-----------------|-------|-----|-------|
| BM20B(0.8)-10DS-0.4V(51) | 0684-9008-4 51 | 10 | 4.48 | 1.6 | 4.02 |
| BM20B(0.8)-16DS-0.4V(51) | 0684-9041-0 51 | 16 | 5.68 | 2.8 | 5.22 |
| BM20B(0.8)-20DS-0.4V(51) | 0684-9009-7 51 | 20 | 6.48 | 3.6 | 6.02 |
| BM20B(0.8)-24DS-0.4V(51) | 0684-9010-6 51 | 24 | 7.28 | 4.4 | 6.82 |
| BM20B(0.8)-30DS-0.4V(51) | 0684-9011-9 51 | 30 | 8.48 | 5.6 | 8.02 |
| BM20B(0.8)-34DS-0.4V(51) | 0684-9020-0 51 | 34 | 9.28 | 6.4 | 8.82 |
| BM20B(0.8)-40DS-0.4V(51) | 0684-9012-1 51 | 40 | 10.48 | 7.6 | 10.02 |
| BM20B(0.8)-50DS-0.4V(51) | 0684-9013-4 51 | 50 | 12.48 | 9.6 | 12.02 |

Note 1 : This product is sold by full reel quantities of 8,000 pieces per reel. Please place orders in full reel quantities.

Note 2 : This connector is NOT polarized.

Cameras Applications



Automotive Driver Pilot



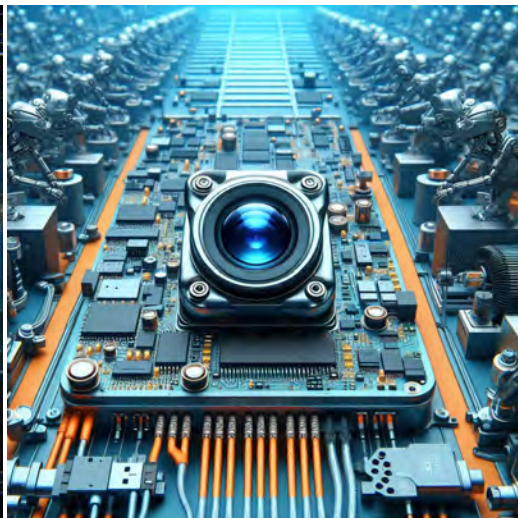
Live Streaming



Video Conference



Eye Tracker Biometric Detection



Machine Vision



Agricultural Monitor



Night Vision Security



Drone and Sports Eagle Eyes



Interactive Pet Camera



YDS CAMERA MODULE

your best camera partner

Camera Module Pinout Definition Reference Chart

| OmniVision | Sony | Samsung | On-Semi | Aptina | Himax | GalaxyCore | PixArt | SmartSens | Sensors |
|-------------------------------|--|---|-------------------------|---|------------------------------------|------------|--------|-----------|---------|
| Pin Signal | | Description | | | | | | | |
| DGND | GND | ground for digital circuit | | | | | | | |
| AGND | | ground for analog circuit | | | | | | | |
| PCLK | DCK | DVP PCLK output | | | | | | | |
| XCLR | PWDN | XSHUTDOWN | STANDBY | power down active high with internal pull-down resistor | | | | | |
| MCLK | XVCLK | XCLK | INCK | system input clock | | | | | |
| RESET | RST | reset active low with internal pull-up resistor | | | | | | | |
| NC | NULL | no connect | | | | | | | |
| SDA | SIO_D | SIOD | SCCB data | | | | | | |
| SCL | SIO_C | SIOC | SCCB input clock | | | | | | |
| VSYNC | XVS | FSYNC | DVP VSYNC output | | | | | | |
| HREF | XHS | DVP HREF output | | | | | | | |
| DOVDD | power for I/O circuit | | | | | | | | |
| AFVDD | power for VCM circuit | | | | | | | | |
| AVDD | power for analog circuit | | | | | | | | |
| DVDD | power for digital circuit | | | | | | | | |
| STROBE | FSTROBE | strobe output | | | | | | | |
| FSIN | synchronize the VSYNC signal from the other sensor | | | | | | | | |
| SID | SCCB last bit ID input | | | | | | | | |
| ILPWM | mechanical shutter output indicator | | | | | | | | |
| FREX | frame exposure / mechanical shutter | | | | | | | | |
| GPIO | general purpose inputs | | | | | | | | |
| SLASEL | I2C slave address select | | | | | | | | |
| AFEN | CEN chip enable active high on VCM driver IC | | | | | | | | |
| MIPI Interface | | | | | | | | | |
| MDN0 | DN0 | MD0N | DATA_N | DMO1N | MIPI 1st data lane negative output | | | | |
| MDP0 | DP0 | MD0P | DATA_P | DMO1P | MIPI 1st data lane positive output | | | | |
| MDN1 | DN1 | MD1N | DATA2_N | DMO2N | MIPI 2nd data lane negative output | | | | |
| MDP1 | DP1 | MD1P | DATA2_P | DMO2P | MIPI 2nd data lane positive output | | | | |
| MDN2 | DN2 | MD2N | DATA3_N | DMO3N | MIPI 3rd data lane negative output | | | | |
| MDP2 | DP2 | MD2P | DATA3_P | DMO3P | MIPI 3rd data lane positive output | | | | |
| MDN3 | DN3 | MD3N | DATA4_N | DMO4N | MIPI 4th data lane negative output | | | | |
| MDP3 | DP3 | MD3P | DATA4_P | DMO4P | MIPI 4th data lane positive output | | | | |
| MCN | CLKN | CLK_N | DCKN | MIPI clock negative output | | | | | |
| MCP | CLKP | CLK_P | DCKN | MIPI clock positive output | | | | | |
| DVP Parallel Interface | | | | | | | | | |
| D0 | DO0 | Y0 | DVP data output port 0 | | | | | | |
| D1 | DO1 | Y1 | DVP data output port 1 | | | | | | |
| D2 | DO2 | Y2 | DVP data output port 2 | | | | | | |
| D3 | DO3 | Y3 | DVP data output port 3 | | | | | | |
| D4 | DO4 | Y4 | DVP data output port 4 | | | | | | |
| D5 | DO5 | Y5 | DVP data output port 5 | | | | | | |
| D6 | DO6 | Y6 | DVP data output port 6 | | | | | | |
| D7 | DO7 | Y7 | DVP data output port 7 | | | | | | |
| D8 | DO8 | Y8 | DVP data output port 8 | | | | | | |
| D9 | DO9 | Y9 | DVP data output port 9 | | | | | | |
| D10 | DO10 | Y10 | DVP data output port 10 | | | | | | |
| D11 | DO11 | Y11 | DVP data output port 11 | | | | | | |

www.YDSCAM.com sales@ydscam.com Phone (WeChat, QQ): (+86) 177 2732 6718

All rights reserved @ YingDeShun Co. Ltd. Specifications subject to change without notice.

Camera Reliability Test

| Reliability Inspection Item | | Testing Method | Acceptance Criteria | |
|-----------------------------|-----------------------------|---|-------------------------|-------------------------|
| Category | Item | | | |
| Environmental | Storage Temperature | High 60°C 96 Hours | Temperature Chamber | No Abnormal Situation |
| | | Low -20°C 96 Hours | Temperature Chamber | No Abnormal Situation |
| | Operation Temperature | High 60°C 24 Hours | Temperature Chamber | No Abnormal Situation |
| | | Low -20°C 24 Hours | Temperature Chamber | No Abnormal Situation |
| | Humidity | 60°C 80% 24 Hours | Temperature Chamber | No Abnormal Situation |
| | Thermal Shock | High 60°C 0.5 Hours Low -20°C 0.5 Hours Cycling in 24 Hours | Temperature Chamber | No Abnormal Situation |
| Physical | Drop Test (Free Falling) | Without Package 60cm | 10 Times on Wood Floor | Electrically Functional |
| | | With Package 60cm | 10 Times on Wood Floor | Electrically Functional |
| | Vibration Test | 50Hz X-Axis 2mm 30min | Vibration Table | Electrically Functional |
| | | 50Hz Y-Axis 2mm 30min | Vibration Table | Electrically Functional |
| | | 50Hz Z-Axis 2mm 30min | Vibration Table | Electrically Functional |
| | Cable Tensile Strength Test | Loading Weight 4 kg 60 Seconds Cycling in 24 Hours | Tensile Testing Machine | Electrically Functional |
| Electrical | ESD Test | Contact Discharge 2 KV | ESD Testing Machine | Electrically Functional |
| | | Air Discharge 4 KV | ESD Testing Machine | Electrically Functional |
| | Aging Test | On/Off 30 Seconds Cycling in 24 Hours | Power Switch | Electrically Functional |
| | USB Connector | On/Off 250 Times | Plug and Unplug | Electrically Functional |



Camera Inspection Standard

| Inspection Item | | Inspection Method | Standard of Inspection | | |
|------------------|----------|-------------------|-----------------------------|--|---------------------------------|
| Category | Item | | | | |
| Appearance | FPC/ PCB | Color | The Naked Eye | Major Difference is Not Allowed. | |
| | | Be Torn/Chopped | The Naked Eye | Copper Crack Exposure is Not Allowed. | |
| | | Marking | The Naked Eye | Clear, Recognizable (Within 30cm Distance) | |
| | Holder | Scratches | The Naked Eye | The Inside Crack Exposure is Not Allowed | |
| | | Gap | The Naked Eye | Meet the Height Standard | |
| | | Screw | The Naked Eye | Make Sure Screws Are Presented (If Any) | |
| | | Damage | The Naked Eye | The Inside Crack Exposure is Not Allowed | |
| | Lens | Scratch | The Naked Eye | No Effect On Resolution Standard | |
| | | Contamination | The Naked Eye | No Effect On Resolution Standard | |
| | | Oil Film | The Naked Eye | No Effect On Resolution Standard | |
| | | Cover Tape | The Naked Eye | No Issue On Appearance. | |
| | Function | Image | No Communication | Test Board | Not Allowed |
| | | | Bright Pixel | Black Board | Not Allowed In the Image Center |
| Dark Pixel | | | White board | Not Allowed In the Image Center | |
| Blurry | | | The Naked Eye | Not Allowed | |
| No Image | | | The Naked Eye | Not Allowed | |
| Vertical Line | | | The Naked Eye | Not Allowed | |
| Horizontal Line | | | The Naked Eye | Not Allowed | |
| Light Leakage | | | The Naked Eye | Not Allowed | |
| Blinking Image | | | The Naked Eye | Not Allowed | |
| Bruise | | | Inspection Jig | Not Allowed | |
| Resolution | | | Chart | Follows Outgoing Inspection Chart Standard | |
| Color | | | The Naked Eye | No Issue | |
| Noise | | | The Naked Eye | Not Allowed | |
| Corner Dark | | | The Naked Eye | Less Than 100px By 100px | |
| Color Resolution | | | The Naked Eye | No Issue | |
| Dimension | Height | The Naked Eye | Follows Approval Data Sheet | | |
| | Width | The Naked Eye | Follows Approval Data Sheet | | |
| | Length | The Naked Eye | Follows Approval Data Sheet | | |
| | Overall | The Naked Eye | Follows Approval Data Sheet | | |

YDSCAM Package Solutions

YDS Camera Module



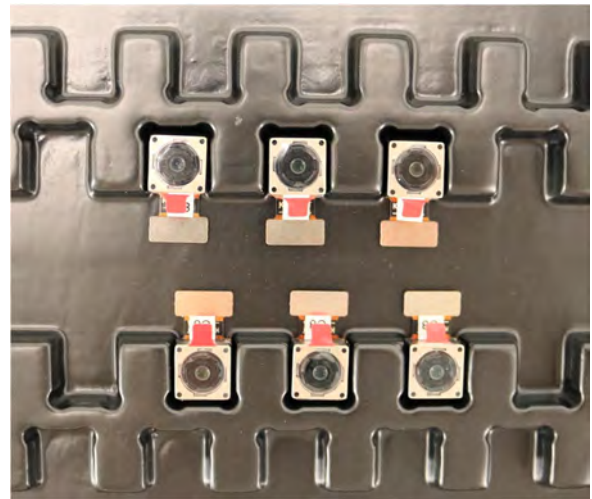
Complete with Lens Protection Film



Tray with Grid and Space

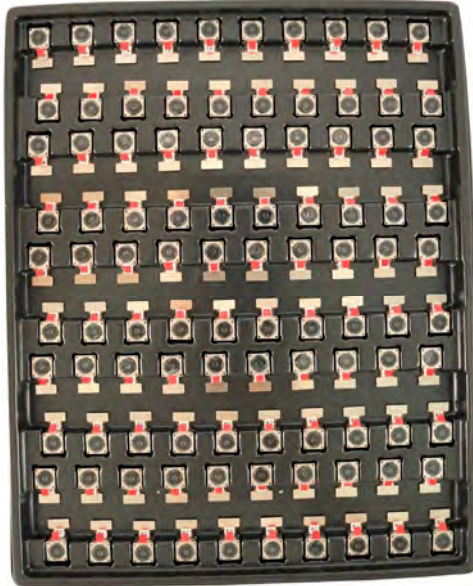


Place Cameras on the Tray

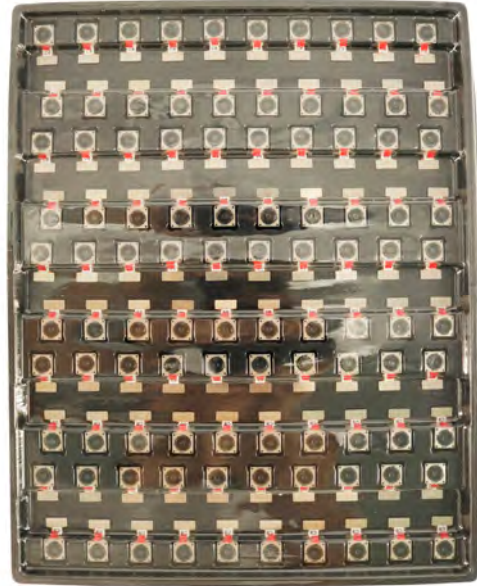


YDSCAM Package Solutions

Full Tray of Cameras



Cover Tray with Lid



Place Tray into Anti-Static Bag



Vacuum the Anti-Static Bag



YDSCAM Package Solutions

Sealed Vacuum Anti-Static Bag with Labels

1. Model and Description 2. Quantity 3. Manufacturing Date Code 4. Caution



YDSCAM Package Solutions

Place Foam Sheets Between Tray Bags



Foam Sheets are Larger Than Trays



Place Foam Sheets and Trays into Box



Foam Sheets are Tightly Fitting in Box



Seal the Carbon Box



Label the Carbon Shipping Box





YDSCAM Package Solutions

USB Camera Module

Complete with Lens Protection Film



Place Camera Sample into Anti-Static Bag

Place USB Cameras into Tray



Seal the Tray with Anti-Static Bag

Label the Carbon Shipping Box



YDSCAM Package Solutions

Place Camera Sample into Anti-Static Bag



Place Connectors into Anti-Static Bag



Label the Sample Bags



Place Connectors into Reel



Place Samples into the Carbon Box



Place Connectors into the Carbon Box





YDS CAMERA MODULE

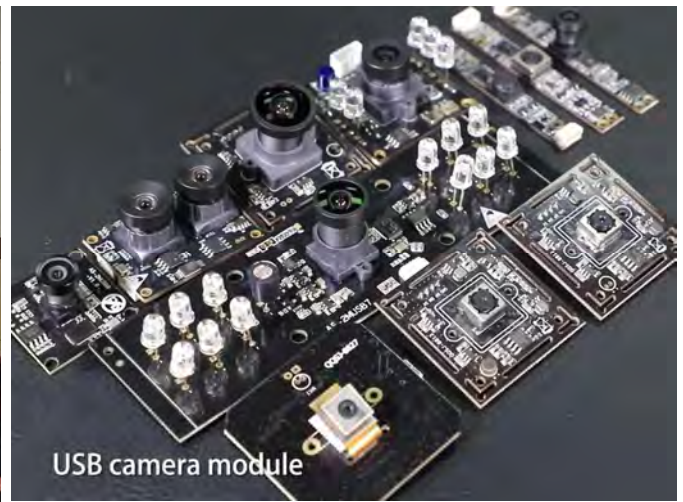
your best camera partner

Company YDSCAM

YingDeShun Co. Ltd. (YDS) was established in 2017, a next-generation technology driven manufacturer specialized in research, design, and produce of audio and video products. YDS is occupying 20,000 square feet automated plants with 100 employees of annual throughput 30,000,000 units cameras.

YDS provides OEM, ODM design, contract manufacturing, and builds the camera products. You may provide the requirements to us, even with a hand draft, our sales and engineering work together to meet your needs. We consider ourselves your last-term partner in developing practical and innovative solutions.

Our team covers everything from initial concept development to mass produced product. YDS specializes in customized camera design, raw material, electronic engineering, firmware/software development, product testing, and packing design. Our experienced strategic supply systems offer a robust and dependable manufacturing capacity for orders of various sizes.



Limited Warranty

YDS provides the following limited warranty if you purchased the Product(s) directly from YDS company or from YDS's website www.YDSCAM.com. Product(s) purchased from other sellers or sources are not covered by this Limited Warranty. YDS guarantees that the Product(s) will be free from defects in materials and workmanship under normal use for a period of one (1) year from the date you receive the product ("Warranty Period").

For all Product(s) that contain or develop material defects in materials or workmanship during the Warranty Period, YDS will, at its sole option, either: (i) repair the Product(s); (ii) replace the Product(s) with a new or refurbished Product(s) (replacement Product(s) being of identical model or functional equivalent); or (iii) provide you a refund of the price you paid for the Product(s).

This Limited Warranty of YDS is solely limited to repair and/or replacement on the terms set forth above. YDS is not reliable or responsible for any subsequent events.



www.YDSCAM.com sales@ydscom.com Phone (WeChat, QQ): (+86) 177 2732 6718

All rights reserved @ YingDeShun Co. Ltd. Specifications subject to change without notice.



YDS CAMERA MODULE

your best camera partner

YDS Strength

Powerful Factory



Professional Service



Promised Delivery



www.YDSCAM.com sales@ydscam.com Phone (WeChat, QQ): (+86) 177 2732 6718

All rights reserved @ YingDeShun Co. Ltd. Specifications subject to change without notice.